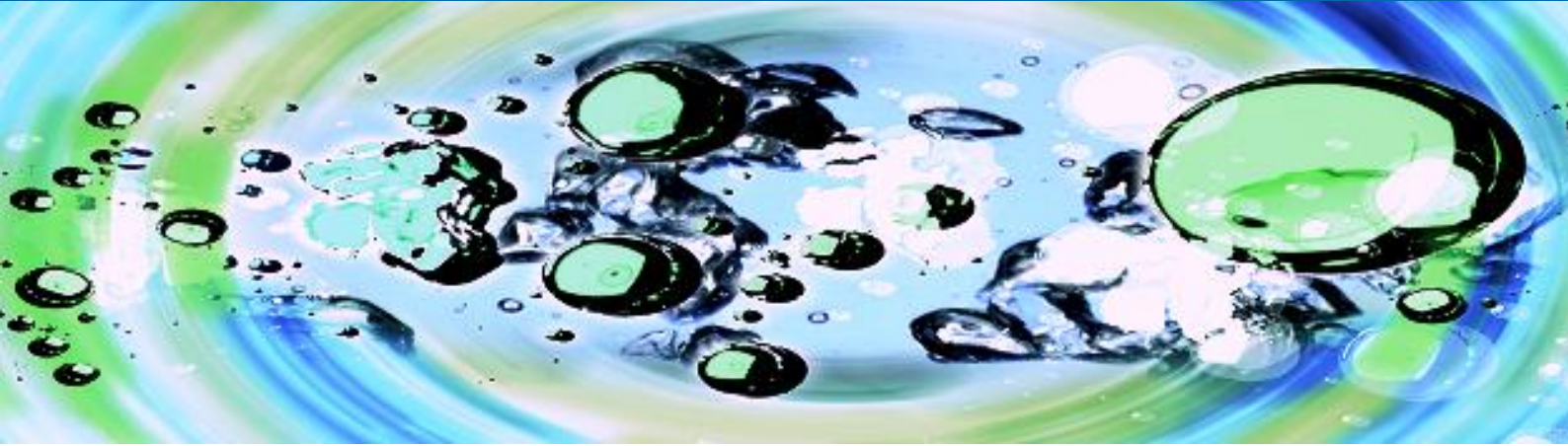


FLOATING MIXER

Lagoons treatment plants of all sizes – Temperature from -20°C to 40°C



HELIFLOAT RANGE

Using & benefits

MILTON ROY MIXING has successfully developed a floating agitator HELIFLOAT, which allows to prevent particles settlement in basins, lagoons or large tanks, the HELIFLOAT offers the following advantages:

- Installation without laying of a specific structure for the agitator
- Light equipment with easy handling, quick installation
- Operation at variable levels with the same efficiency
- Low maintenance (standard parts)
- Wide area treated (approx. 12 m dia)

These advantages allow the HELIFLOAT installation with an economical investment and a low absorbed power considering the large agitated volume.

Operating Principles

The combination of a propeller with a strong effect of propulsion and a specific body included in the structure canalizing the liquid jet, allows the propulsion up to 7 m depth.

The HELIFLOAT agitator thanks to its four insubmersible floats does not require any mounting structure that is why the installation is easy.

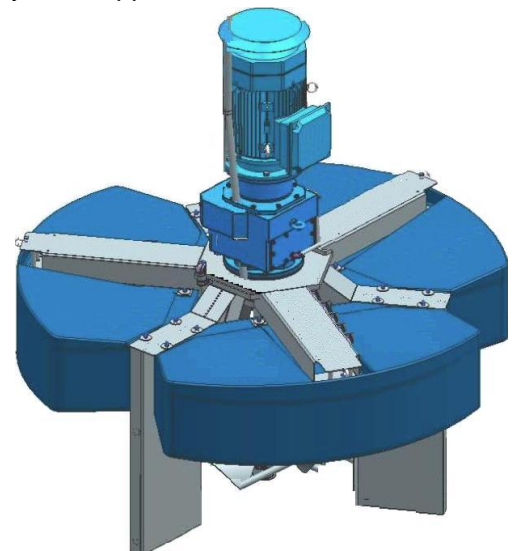
Easy installation

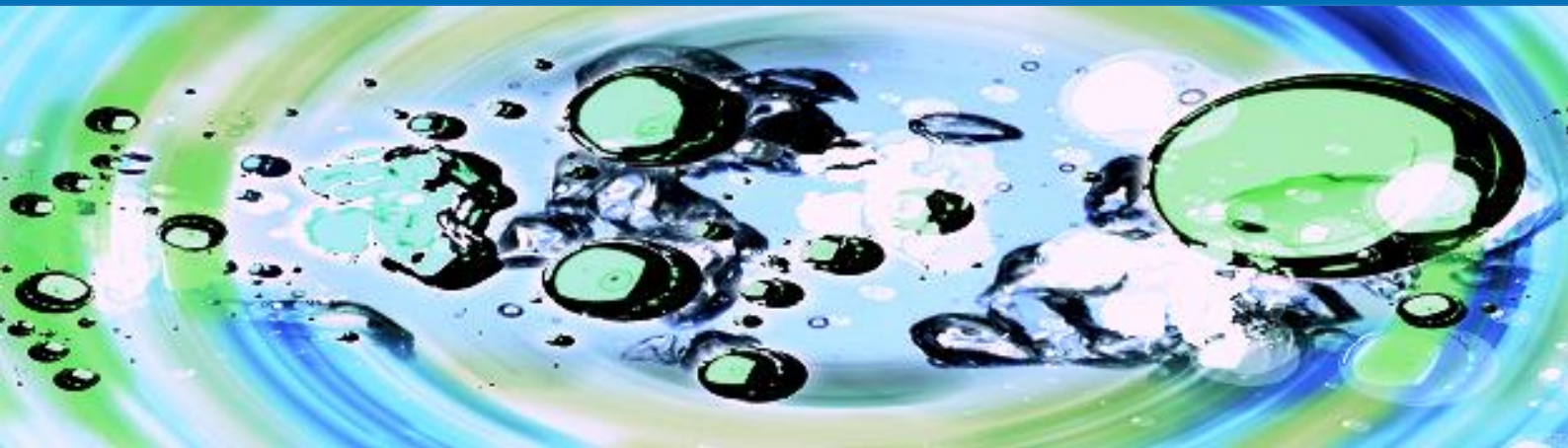
Whatever the lagoons size, basins, tanks can be fitted with several HELIFLOAT according to the volume to mix.

- The fixation is carried out by simple slings to prevent the gyration of the unit.

For your application in :

- Water Treatment
- Homogenization
- Solid Suspension
- To prevent sludge/ solids deposits
- Many other applications





TECHNICAL SPECIFICATIONS

Main features

- Gearbox and motor driven
- Set of floats
- Stainless steel frame
- Flow guiding device
- SABRE® Propeller

Hydraulic features

- Pumping flow rate: 18 000 m³ / h

Description of the motor

- Power: 18,5 kW
- 50 Hz three phase
- IP 55

Construction materials

- Stainless Steel
- Painting: Standard MRM NRI 8999b

Volumes concerned

From 200 to approximately 20 000m³ in:

- Basins
- Lagoons
- Large tanks

Options (depending of the model)

- Motors adapted according to the environment, the country, and climatic conditions.
- Materials selected to cope with corrosive behaviour of the bulk

Settlement

- One or several agitators possible depending of the tank/ lagoon surface
- Fixation by slings

