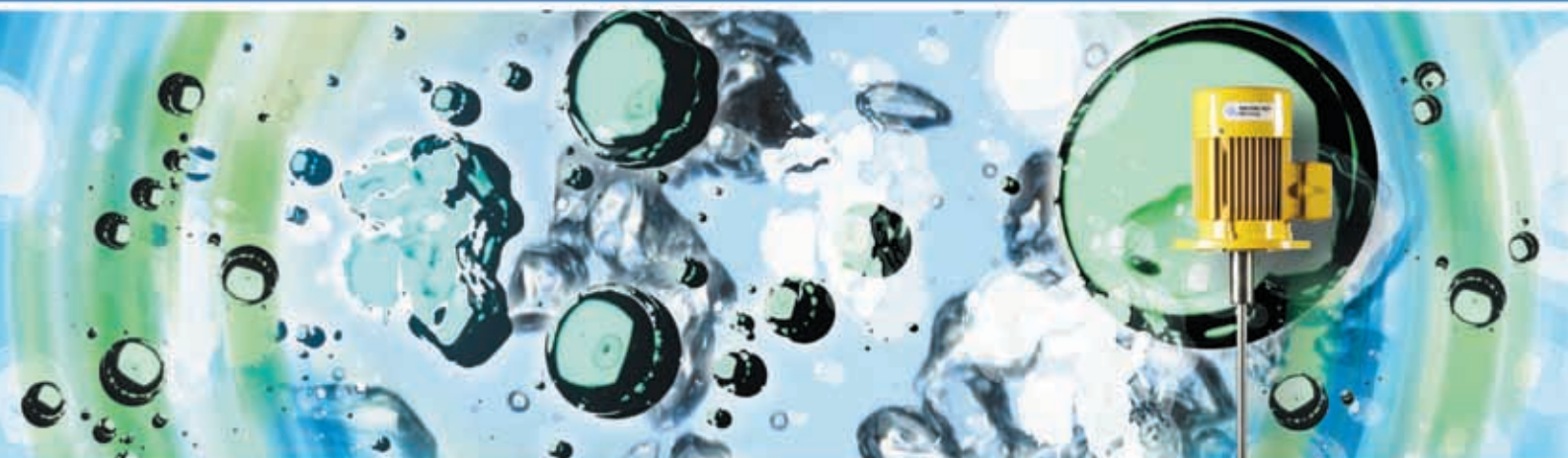


HELISEM® RANGE

VD SERIES MIXERS

Open tanks from 0,5 to 5 m³ – Atmospheric pressure – Temperature up to 70°C



TYPE VDA

General characteristics

- Agitator with direct drive
- Lower shaft provided with a marine impeller
- Rated power from 0,25 to 1,5 kW
- Velocity : 750 tr/m and 1500 tr/m

Capacities

- From 0.5 to 5 m³ approximately

Operating conditions

- Atmospheric pressure
- Temperature up to 70°C

Main applications

- Homogenization
- Dissolution
- Preparation of reagents
- Neutralization

Construction materials

- Stainless steel 316L
- Painting PU : RAL 1018 on the drive system
(please consult us for any other material)

Electric characteristics

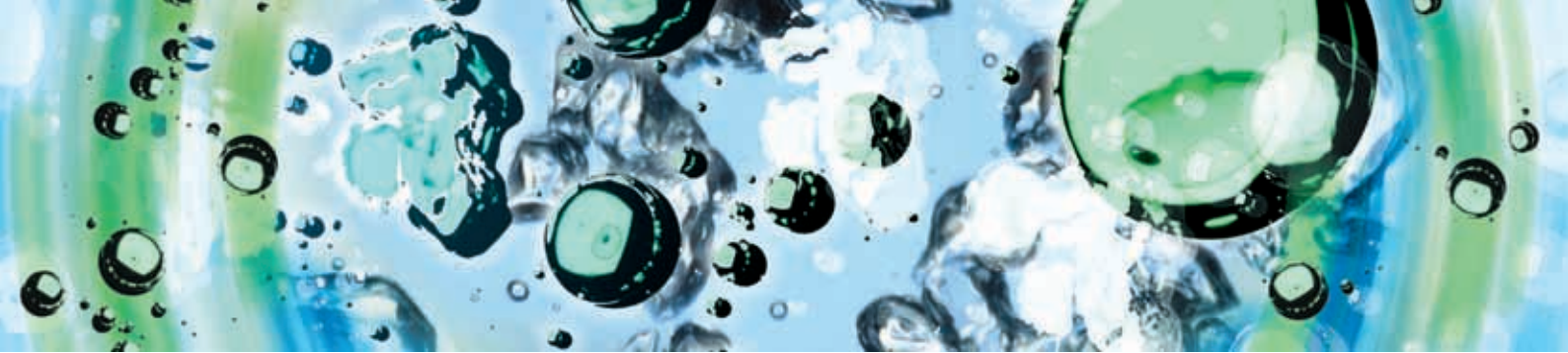
- 230/400 V three-phase
- 50 Hz
- IP 55
(other voltage and frequency, please consult us)

Options (depending on mixer type)

- Special motors (60 Hz)
- Halar coating
- Second impeller
- ATEX mixer

Operational limits

- Operation prohibited during draining
- Use of variable speed not possible
- Not recommended for products sensitive to shearing
- Maximum viscosity of 100 mPas
- Density <= 1,1



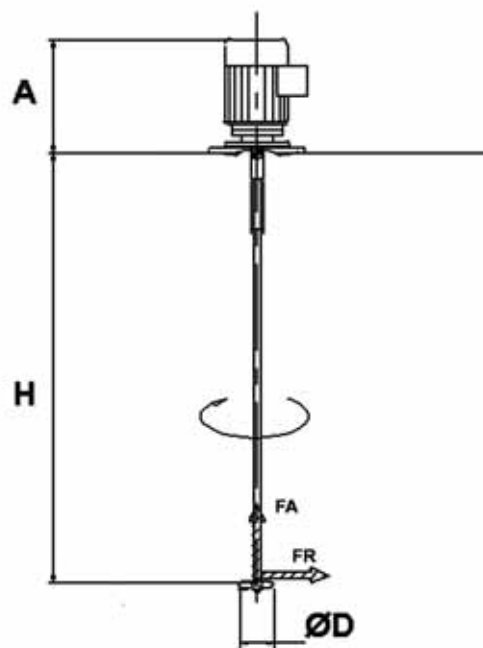
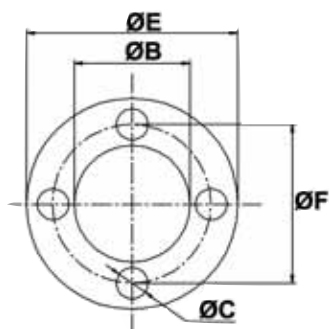
SPECIFICATIONS

Type	Rated power (kW)	Rotation speed (rpm)	Maximum height (mm) H	Propeller Diameter (mm) D	Propeller Flowrate (m ³ /h)	Weight (Kg)	Torque (Nm)
1210S	0.25	1500	1000	80	32	10	3
2210S	0.25	1500	1000	128	104	10	3
2110S	0.25	750	1000	128	52	12	6
2520S	0.75	1500	1250	128	104	14	9
4310S	0.37	750	1000	160	101	19	10
4630S	1.5	1500	1500	160	203	20	18

The minimum height of the liquid at the top of the impeller might be 300 mm.
It is necessary to respect a distance of 150 mm between the flange and the level of the liquid.

DIMENSIONS (MM)

Type	A	B	C	E	F
1210S	250	110	9	160	130
2210S	250	110	9	160	130
2110S	285	130	11	200	165
2520S	285	130	11	200	165
4310S	300	130	11	200	165
4630S	320	130	11	200	165



Please consult us for any other request.



MILTON ROY
Mixing

MILTON ROY MIXING
10, rue du bois Gasseau BP N°94
77212 AVON Cedex
FRANCE
Tel : +33 (0) 1.60.74.95.20
Fax : +33 (0) 1.60.74.95.29
www.miltonroymixing.com



MILTON ROY

www.miltonroy.com

