

Actuator Capacity Controller (ACC)

The Actuator Capacity Controller (ACC) is a compact, robustly designed controller that optimizes flow, precision, reliability and integration with Milton Roy® pumps.

By utilizing a 4-20mA command signal or fieldbus HART communication, in a closed loop control system, the ACC provides immediate and accurate control of the pump flow under varying process conditions.

SPECIFICATIONS

Enclosure

- Watertight: IP66/IP68, NEMA 4/4x
- Explosion-proof: IECEx / ATEX - II 2 G Ex db IIB T6 Gb
- CSA : Class I, Division 1, Group C and D T6 - Class II, Division 1, Group E, F and G T80°C

Electrical Input Power

- 1 phase , 85V to 260V, 50/60 Hz (standard)
- 24VDC (standard)

Control and Position Signal

- 4-20mA analog input command/output feedback (Standard)

HART Communication (optional)

- Control and monitoring (position and alarm)
- On/Off and/or Proportional control

Accuracy

- $\pm 1\%$

Modulating Cycle

- Inching/positioning

Motor

- DC controlled by electronic circuit board
- 20 watts
- AC: Is = 2A (starting current)
- DC: Is = 6A (starting current)

Temperature

- -40°C to 60°C (-40°F to 140°F)

Conduit

- 2 x 3/4" NPT female (without cable gland)

External Protection

- Coating C4 according to ISO 12944 (standard)
- Coating C5 according to ISO 12944 (optional)

Materials

- Body: Aluminum alloy
- Cover: Aluminum alloy
- Mounting Bracket: Aluminum
- Manual Override Shaft: Steel
- Cover fastened by captive and stainless steel screws



BENEFITS

- Compact, robust design accommodates easier integration with metering skids
- Multi-voltage and multi-frequency power suitable for global industrial process
- Network configuration: Point to point and multidrop, with the option fieldbus HART Communication
- Explosion-proof design suitable for severe applications
- Sand proof protection
- Standard version suitable for various weather environments
- Simple, easy for quick setup

FEATURES

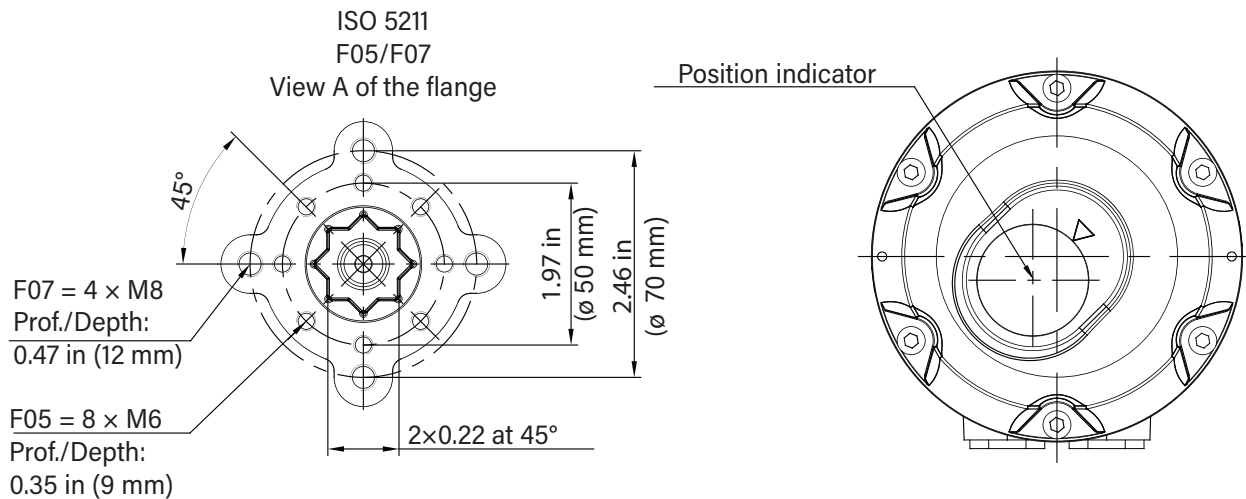
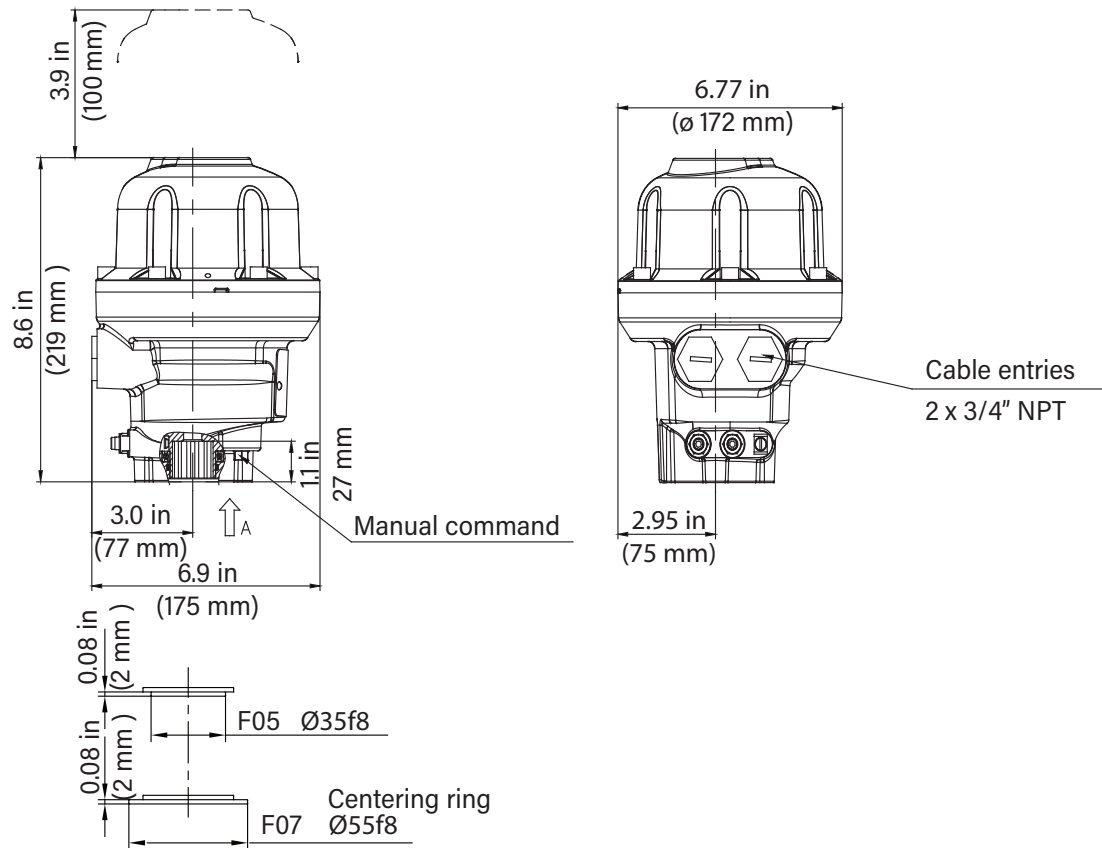
- High level of modulating accuracy to control the pumps remotely
- Special offshore version for O&G applications
- Flexible adjustment for flow rate 1:10 ratio to meet API 675 standard
- Mechanical position indicator integrated inside cover to conveniently check levels
- Manual override integration for manual flow adjustment as needed

MODELS USING ACC

- GM series
- MacRoy series
- mROY® series
- MAXROY® series
- MILROYAL® series
- PRIMEROY® series
- PRIMEROYAL® series PH/PK/PL

Actuator Capacity Controller (ACC)

DIMENSIONS



The general dimensions are given for information only.