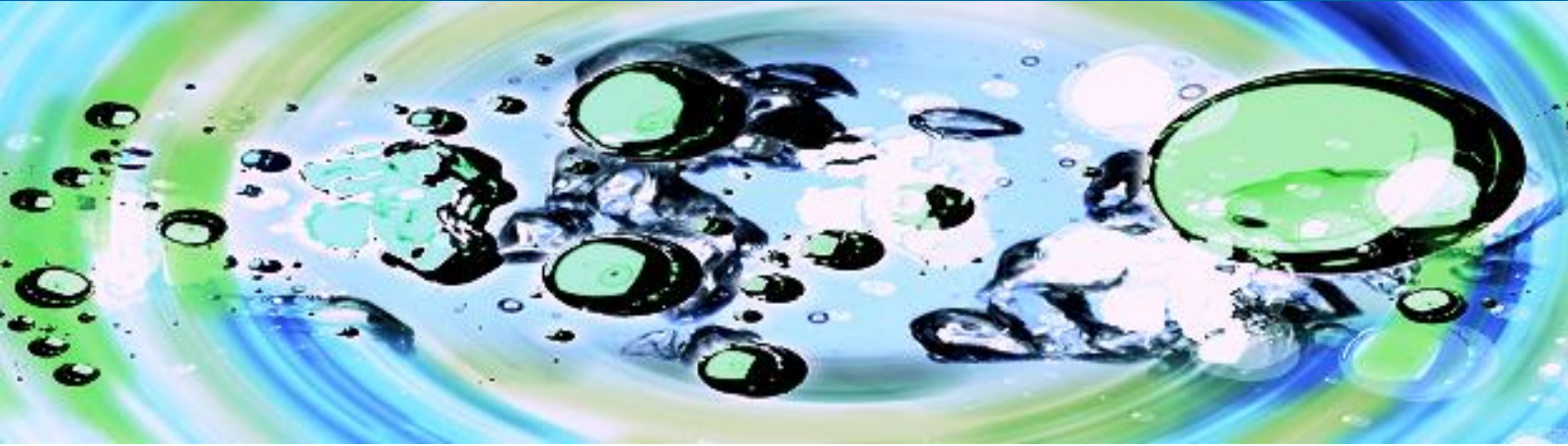


# FLOATING MIXER

Lagoons treatment plants of all sizes – Temperature from -20°C to 40°C



## HELIFLOAT RANGE

### Using & benefits

MILTON ROY MIXING has successfully developed a floating agitator HELIFLOAT, which allows to prevent particles settlement in basins, lagoons or large tanks, the HELIFLOAT offers the following advantages:

- Installation without laying of a specific structure for the agitator
- Light equipment with easy handling, quick installation
- Operation at variable levels with the same efficiency
- Low maintenance (standard parts)
- Wide area treated (approx. 12 m dia)

These advantages allow the HELIFLOAT installation with an economical investment and a low absorbed power considering the large agitated volume.

### Operating Principles

The combination of a propeller with a strong effect of propulsion and a specific body included in the structure canalizing the liquid jet, allows the propulsion up to 7 m depth.

The HELIFLOAT agitator thanks to its four insubmersible floats does not require any mounting structure that is why the installation is easy.

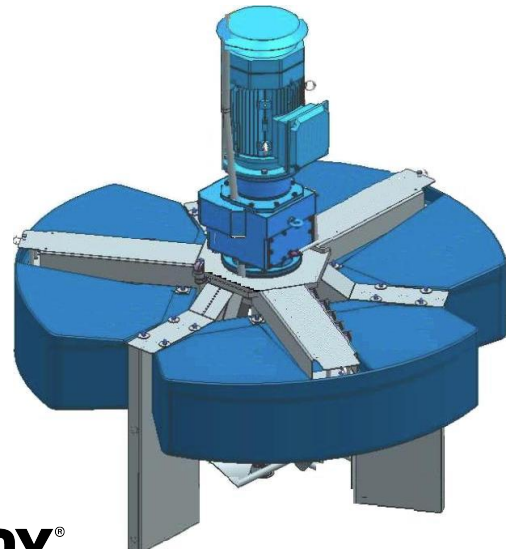
### Easy installation

Whatever the lagoons size, basins, tanks can be fitted with several HELIFLOAT according to the volume to mix.

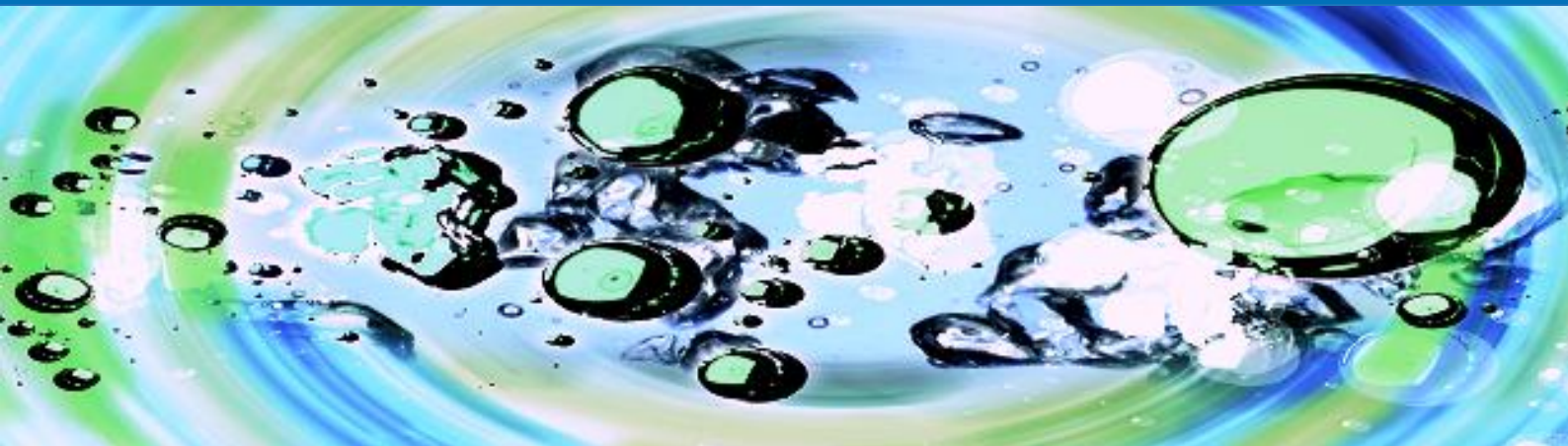
- The fixation is carried out by simple slings to prevent the gyration of the unit.

### For your application in :

- Water Treatment
- Homogenization
- Solid Suspension
- To prevent sludge/ solids deposits
- Many other applications



**MILTON ROY®**  
**Mixing**



# TECHNICAL SPECIFICATIONS

## Main features

- Gearbox and motor driven
- Set of floats
- Stainless steel frame
- Flow guiding device
- SABRE® Propeller

## Hydraulic features

- Pumping flow rate: 18 000 m<sup>3</sup> / h

## Description of the motor

- Power: 18,5 kW
- 50 Hz three phase
- IP 55

## Construction materials

- Stainless Steel
- Painting: Standard MRM NRI 8999b

## Volumes concerned

From 200 to approximately 20 000m<sup>3</sup> in:

- Basins
- Lagoons
- Large tanks

## Options (depending of the model)

- Motors adapted according to the environment, the country, and climatic conditions.
- Materials selected to cope with corrosive behaviour of the bulk

## Settlement

- One or several agitators possible depending of the tank/ lagoon surface
- Fixation by slings

