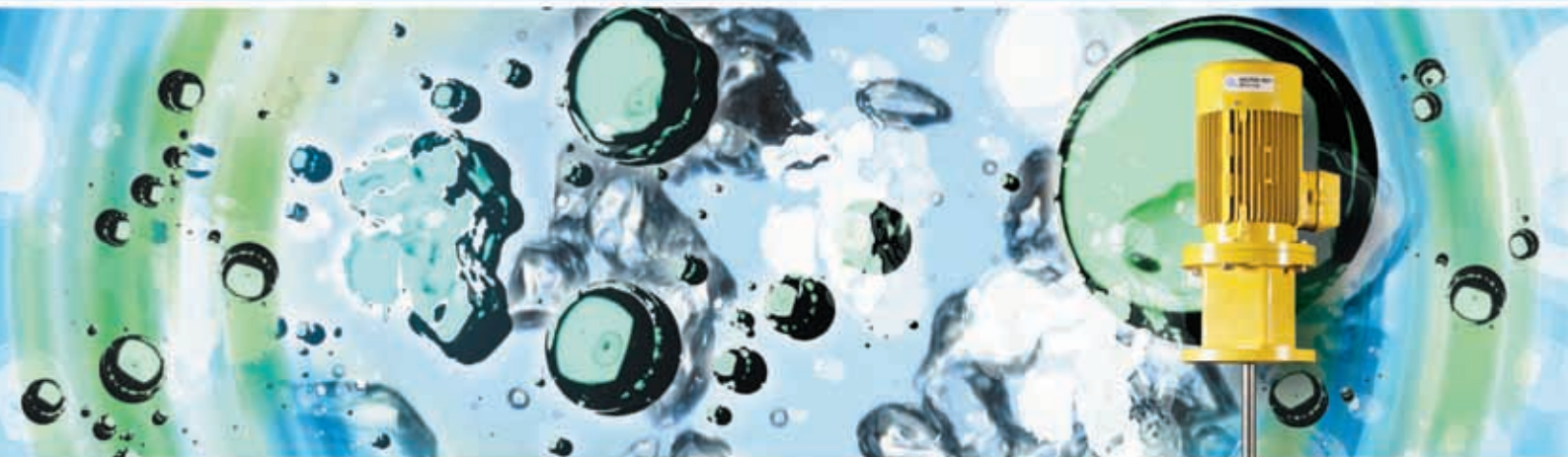


# HELISEM® RANGE

## VL SERIES MIXERS

Open tanks from 0,5 to 5 m<sup>3</sup> – Atmospheric pressure – Temperature up to 70°C



## TYPE VLA



### General characteristics

- Agitator with direct drive
- Lantern with radial bearing
- Lower shaft provided with a marine impeller
- Rated power from 0,37 to 1,5 kW
- Velocity : 1000 tr/m and 1500 tr/m



### Capacities

- From 0.5 to 5 m<sup>3</sup> approximately



### Operating conditions

- Atmospheric pressure
- Temperature up to 70°C



### Main applications

- Homogenization
- Dissolution
- Preparation of reagents
- Neutralization



### Construction materials

- Stainless steel 316L
- Painting PU : RAL 1018 on the drive system  
(please consult us for any other material)



### Electric characteristics

- 230/400 V three-phase
- 50 Hz
- IP 55  
(please consult us for any other voltage and frequency)



### Options (depending on mixer type)

- Special motors (60 Hz)
- Halar coating
- Second impeller
- ATEX mixer

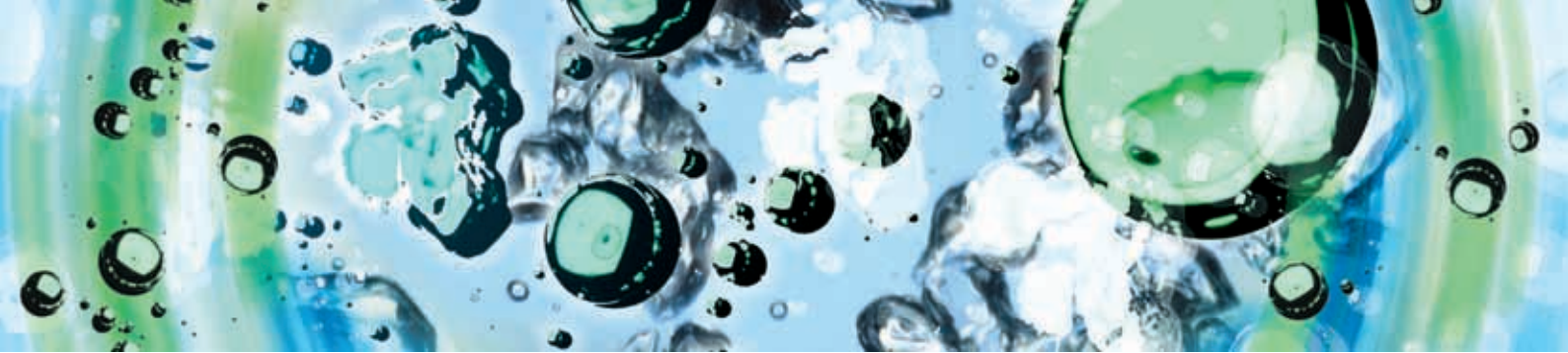


### Operational limits

- Operation prohibited during draining
- Use of variable speed not possible
- Not recommended for products sensitive to shearing
- Maximum viscosity of 100mPas
- Density < = 1,1



**MILTON ROY®**  
**Mixing**



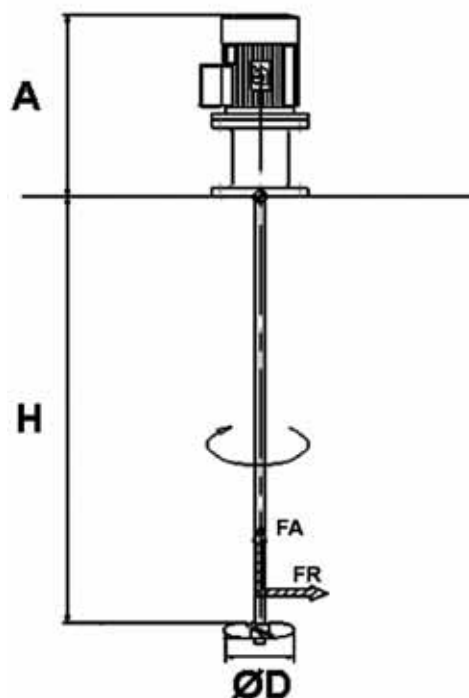
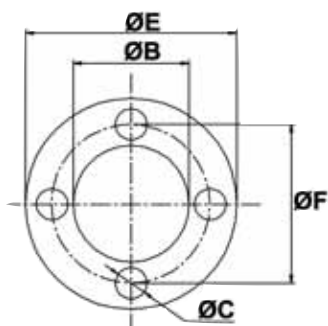
## SPECIFICATIONS

Type	Rated power (kW)	Rotation speed (rpm)	Maximum height (mm) H	Propeller diameter (mm) D	Propeller flowrate (m <sup>3</sup> /h)	Weight (Kg)	Torque (Nm)
2430S	0.37	1000	1500	128	69	20	7
2530S	0.75	1500	1500	128	104	20	9
3530S	0.75	1500	1500	140	136	20	9
4630S	1.5	1500	1500	160	203	27	20
5630S	1.5	1500	1000	200	396	27	20

The minimum height of the liquid at the top of the impeller is 300 mm.  
It is necessary to respect a distance of 150 mm between the flange and the level of the liquid.

## DIMENSIONS (MM)

Type	A	B	C	E	F
2430S	388	-	12	200	165
2530S	388	-	12	200	165
3530S	388	-	12	200	165
4630S	425	-	12	200	165
5630S	425	-	12	200	165



Please consult us for any other request.

