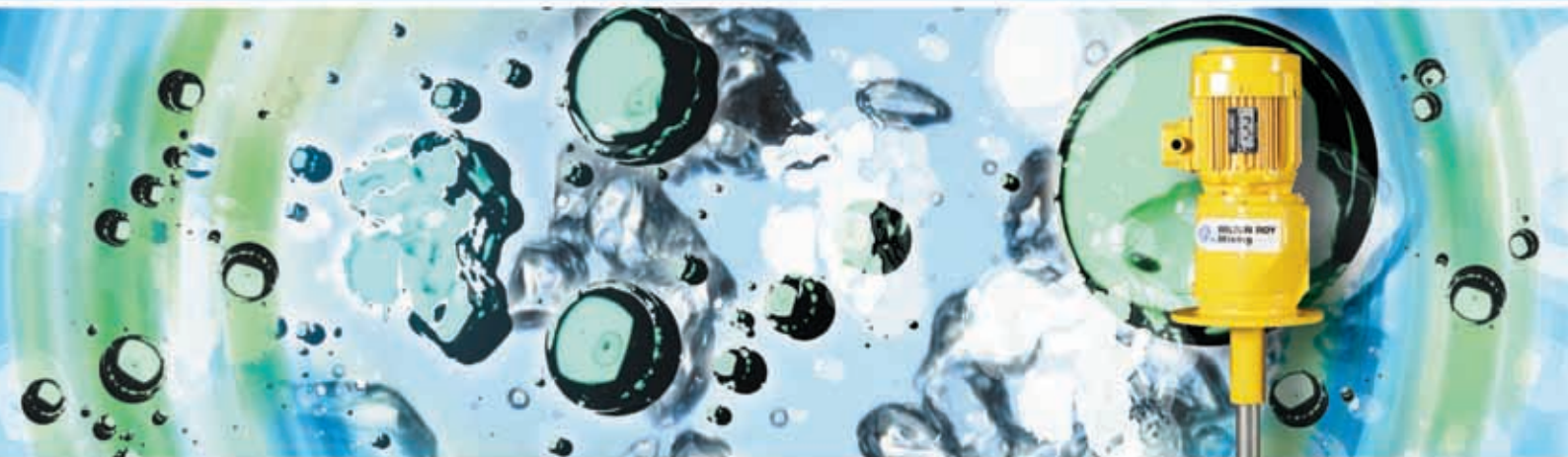


HELISEM® RANGE

VR SERIES MIXERS

Open tanks from 0,5 to 200 m³ – Atmospheric pressure – Temperature up to 90°C



TYPE VRG

General characteristics

- Agitators provided with a gear drive motor
- Hydrofoil Sabre® impeller with high hydraulic output
- Rated power from 0,37 to 7,5 kW

Capacities

- From 0,5 to 200 m³ approximately

Operating conditions

- Atmospheric Pressure
- Temperature up to 90°C

Main applications

Water treatment:

- Homogenization
- Additives preparation
- Suspension
- Flashmixing

Other industries:

- Dissolution
- Heat transfer
- Storage
- Dissolution

Construction materials

- Stainless steel 316L
- Painting PU : RAL 1018 on the drive system
(please consult us for any other material)

Electric characteristics

- 230/400 V three-phase
- 50 Hz/60 Hz
- IP 55
(please consult us for any other voltage or frequency)

Options (depending on mixer type)

- Special motors (60 Hz)
- ATEX mixer
- Variable speed drive
- Second impeller

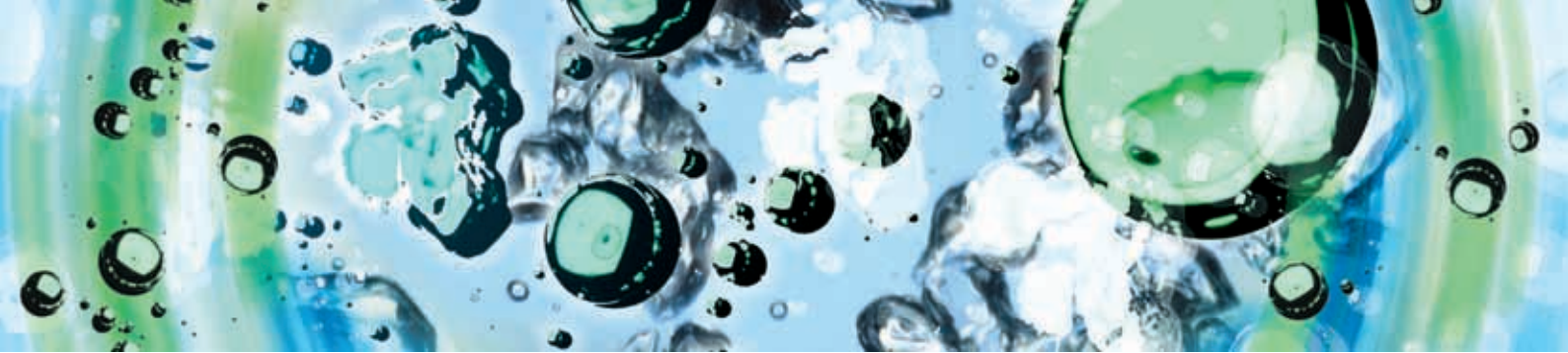
A robust construction

- Allowing a reduced maintenance
- Rotation during filling and draining allowed

Operational limits

- Viscosity < 100 mPas
- Density < 1,1
- Not recommended for the gas-liquid environments
(please consult us for any other viscosity or density)



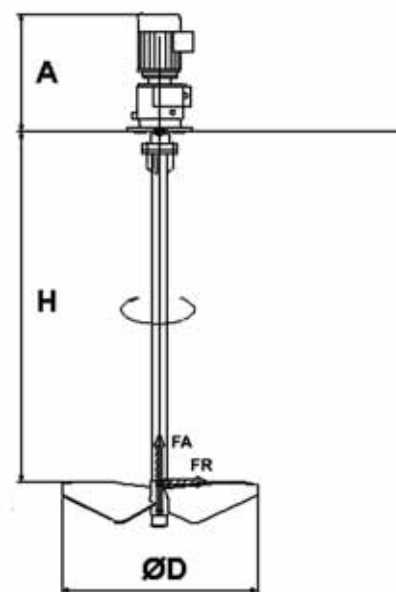
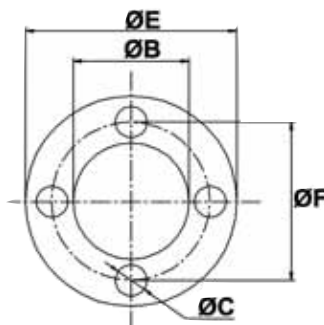


SPECIFICATIONS

Type	Rated power (kW)	Rotation speed (rpm)	Maximum height (mm) H	Propeller diameter (mm) D	Propeller flowrate (m ³ /h)	Weight (Kg)	Axial Load (DaN)	Torque (DaNm)
0021S	0.37	184	1500	200	95	26	1	4
1041S	0.55	158	2000	400	650	44	15	7
2031S	0.75	293	1500	300	509	40	16	5
3061S	1.1	99	2000	600	1379	49	29	21
5082S	2.2	95	2100	800	3135	95	81	44
5101S	2.2	69.3	3000	1000	4450	154	103	61
7121S	4	63.7	2300	1200	7065	198	176	120
8141S	5.5	53.3	2700	1400	9391	324	226	200
9161S	7.5	47.7	2700	1600	12549	465	306	300
9182S	7.5	39.7	3800	1800	14868	556	338	361

DIMENSIONS (MM)

Type	A	B	C	E	F
0021S	395	130	11	200	165
1041S	416	180	13.5	250	215
2031S	400	130	11	200	165
3061S	457	180	13.5	250	215
5082S	530	180	13.5	250	215
5101S	561	230	13.5	300	265
7121S	648	250	17.5	350	300
8141S	771	250	17.5	350	300
9161S	823	350	17.5	450	400
9182S	823	350	17.5	450	400



Extract of the range, please consult us for any other request.



MILTON ROY
Mixing

MILTON ROY MIXING
10, rue du bois Gasseau BP N°94
77212 AVON Cedex
FRANCE
Tel : +33 (0) 1.60.74.95.20
Fax : +33 (0) 1.60.74.95.29
www.miltonroymixing.com



MILTON ROY

www.miltonroy.com